



Explosion-Proof Junction Boxes

X
P
J
U
N
C
T
I
O
N
B
O
X
E
S



- **AXJ Series.....pgs. 26-38**
External flange junction box
- **AXJ-FCS Series.....pgs. 29-32**
External flange flat cover junction box
- **EXI Series.....pg. 39**
Internal flange junction box
- **AXI Series.....pgs. 40-41**
Internal flange junction box
- **XJATS Series.....pgs. 42-44**
Solid screw top junction box
- **XJATG Series.....pgs. 42-44**
Glass Screw Top Metering Enclosure
- **XJATD Series.....pgs. 45-46**
Domed screw top junction box

1025 Eagon Street Barberton, Ohio 44203 Ph: 330-745-8891 Fax: 330-745-2504
www.AkronElectric.Com E-Mail: Sales@AkronElectric.Com

Explosion-Proof Junction Boxes "AXJ" Series

X
P
J
U
N
C
T
I
O
N
B
O
X
E
S



"This is the highest quality enclosure made in the industry. Our quality matched by our quick ship program gets the job done."

Features:

- External Machined Flange Joint Design
- Integral Cast Mounting Feet
- Machined Surface Perimeter for ease of hinge installation
- (N5) Stainless Steel (Optional) or (E3) Triple Lead Stainless Steel Captive Quick Thread Cover Bolts (Optional-Domestic Only)
- Ground Lug Package (Optional)
- Cast Mounting Pan Bosses
- All enclosures suitable for drilling and tapping
- Stainless Steel Shot or Sandblasted natural finish
- Cast aluminum or stainless steel hinge (optional)

Materials:

- Enclosures: Copper-free Aluminum (less than 0.25% copper content)
- Cover Bolts: Cad-Plated (Standard) or Stainless Steel N5 / E3 (Specify)
- Hinges: Stainless Steel or Medium to Heavy Duty Cast Aluminum
- Mounting Pan (Opt.): Aluminum*;
Galvanized Steel or Phenolic Materials available upon request.
- O-Ring (Opt.): Buna-N
- *Note: Aluminum Mounting Pan will be provided if mounting pan is requested unless otherwise noted.

Over 75 Sizes Available For Hazardous Locations

Applications:

Applications where hazardous gases, vapors, liquids, flammable fibers, flyings or combustible dusts can exist during the time of operation

Locations including Oil / Petroleum Refineries, Waste Water Treatment Plants, Petrochemical Plants, Mining Facilities, etc.

Junction Box can be used to house electrical components for viewing / monitoring

Applications in hazardous environments such as those listed above (indoor & outdoor)

ATEX Certification: (Optional)

If ATEX Certification is required, please specify.

Add "-CEN" to Part Number to designate ATEX. (Optional)

Certain Features are added to the AXJ Series if ATEX is required:

- Metric Cover Bolts
- External Ground Screw
- If NEMA 4 O-ring is required, IP 66 Rating Applies



ISO 9001 With Design

Approvals:

UL LISTED - Standard 886

CSA Certified (Canada) - Standard C22.2 - No. M1984

Compliances:

CL. I, Div. 1 & 2 Groups B, C & D

CL. II, Div. 1 & 2 Groups E, F & G

CL. III

NEMA 3, 4X (Optional), 7 & 9



DEMKO OS ATEX 05 ATEX137477U (Empty Housing) Component Rating Exd IIB+H2; IP66 (With O-Ring) II2dg Tamb - 55 degree C to 100 degree C EN 60079-0, -1; EN 60529 ATEX Directive



Explosion-Proof Junction Boxes "AXJ" Series

X P JUNCTION BOXES

CATALOG NUMBER	INSIDE DIMENSIONS (INCHES) Available Depth**				OUTSIDE DIMENSIONS (INCHES)			MOUNTING (INCHES)		MTG. PAN	MTG. PAN DIM.		HINGE CAT. # *	ATEX Optional ADDER	LUG BOLT SIZE (IN.)	MAX. CONDUIT (INCHES)	EST. WEIGHT (LBS.)	
	AXJ	W	L	D	Dc	A	B	C	E		F	---						W
4164	4	16	4	1		8	20	6-1/2	12-1/8	6-3/4	N1	3	15	H1/HC1	-CEN	3/8	2	33
664	6	6	4	1		9-3/4	9-3/4	6-1/4	5-1/8	9-1/8	N1	5	5	H1/HC1	-CEN	3/8	2	17
684	6	8	4	1		9-3/4	11-3/4	6-7/16	4-1/2	9-1/8	N1	5	7	H1/HC1	-CEN	3/8	2	23
685	6	8	5	1		9-3/4	11-3/4	7-7/16	4-1/2	9-1/8	N1	5	7	H1/HC1	-CEN	3/8	2	25
686	6	8	6	1		9-3/4	11-3/4	8-7/16	4-1/2	9-1/8	N1	5	7	H1/HC1	-CEN	3/8	2	26
6104	6	10	4	1		10	14	6-3/8	6-1/2	9-1/8	N1	5	9	H1/HC1	-CEN	3/8	2	26
6115	6	11	5	1		10	15	7-7/16	8	9-1/8	N1	5	10	H1/HC1	-CEN	3/8	2	29
6124	6	12	4	1		10	16	6-7/16	8-1/2	9-1/8	N1	5	11	H1/HC1	-CEN	3/8	2	30
6126	6	12	6	1		10	16	8-7/16	8-1/2	9-1/8	N1	5	11	H1/HC1	-CEN	3/8	2	36
6135	6	13	5	1		10	17	7-7/16	9-1/2	9-1/8	N1	5	12	H1/HC1	-CEN	3/8	2	34
6164	6	16	4	1		10-1/2	20-1/2	6-9/16	12-1/8	9-1/8	N1	5	15	H1/HC1	-CEN	3/8	2	42
6186	6	18	6	1-1/2		10-1/2	22-1/2	9-1/16	13-1/8	9-1/8	N1	5	17	H1/HC1	-CEN	3/8	3	46
#6485	6	48	5	1		10	52	7-3/4	40	8	N1	5	46	3H1/3HC1	-CEN	3/8	2	109
7104	7	10	4	1		11-1/2	14-1/2	6-9/16	6-1/2	9-3/4	N1	6	9	H1/HC1	-CEN	3/8	2	20
7106	7	10	6	1		11-1/2	14-1/2	8-9/16	6-1/2	9-3/4	N1	6	9	H1/HC1	-CEN	3/8	3	25
7185	7	18	5	1		11-1/2	22-1/2	7-9/16	14-1/2	9-3/4	N1	6	17	H1/HC1	-CEN	3/8	2	60
884	8	8	4	1		12-1/2	12-1/2	6-9/16	4-1/2	10-3/4	N1	6-1/2	6-1/2	H1/HC1	-CEN	3/8	2	33
886	8	8	6	1		12-1/2	12-1/2	8-9/16	4-1/2	10-3/4	N1	6-1/2	6-1/2	H1/HC1	-CEN	3/8	3	36
888	8	8	8	1		12-1/2	12-1/2	10-9/16	4-1/2	10-3/4	N1	6-1/2	6-1/2	H1/HC1	-CEN	3/8	4	39
8104	8	10	4	1		12-1/2	14-1/2	6-9/16	6-1/2	10-3/4	N1	6-1/4	8-1/4	H1/HC1	-CEN	3/8	2	36
8106	8	10	6	1		12-1/2	14-1/2	8-9/16	6-1/2	10-3/4	N1	6-1/4	8-1/4	H1/HC1	-CEN	3/8	3	41
8108	8	10	8	1		12-1/2	14-1/2	10-9/16	6-1/2	10-3/4	N1	6-1/4	8-1/4	H1/HC1	-CEN	3/8	4	46
8124	8	12	4	1		12-1/2	16-1/2	6-9/16	8-5/8	10-3/4	N1	6-1/2	10-1/2	H1/HC1	-CEN	3/8	2	41
8126	8	12	6	1		12-1/2	16-1/2	8-9/16	8-5/8	10-3/4	N1	6-1/2	10-1/2	H1/HC1	-CEN	3/8	3	46
8128	8	12	8	1		12-1/2	16-1/2	10-9/16	8-5/8	10-3/4	N1	6-1/2	10-1/2	H1/HC1	-CEN	3/8	4	50
9115	9	11	5	1		13-1/2	15-1/2	7-9/16	6	13-1/8	N1	7-1/2	9-1/2	H1/HC1	-CEN	3/8	2	46
10104	10	10	4	1		14-1/2	14-1/2	6-3/4	6-1/2	13	N1	8-1/2	8-1/2	H1/HC1	-CEN	3/8	2	40
10106	10	10	6	1		14-1/2	14-1/2	8-3/4	6-1/2	13	N1	8-1/2	8-1/2	H1/HC1	-CEN	3/8	3	50
10108	10	10	8	1		14-1/2	14-1/2	10-3/4	6-1/2	13	N1	8-1/2	8-1/2	H1/HC1	-CEN	3/8	4	57
10144	10	14	4	1-1/2		14-1/2	18-1/2	7-3/16	10-5/8	13	N1	8	12	H1/HC1	-CEN	3/8	2	60
10146	10	14	6	1-1/2		14-1/2	18-1/2	9-3/16	10-5/8	13	N1	8	12	H1/HC1	-CEN	3/8	3	68
10148	10	14	8	1-1/2		14-1/2	18-1/2	11-3/16	10-5/8	13	N1	8	12	H1/HC1	-CEN	3/8	4	75
12124	12	12	4	1-1/2		17	17	7-1/2	8-5/8	15-3/4	N1	10	10	H1/HC1	-CEN	1/2	2	70
12126	12	12	6	1-1/2		17	17	9-1/2	8-5/8	15-3/4	N1	10	10	H1/HC1	-CEN	1/2	3	77
12126LW	12	12	6	1-5/16		16	16	8-7/8	8-5/8	15-3/4	N1	10	10	H1/HC1	-CEN	1/2	4	58
12128	12	12	8	1-1/2		17	17	11-1/2	8-5/8	15-3/4	N1	10	10	H1/HC1	-CEN	1/2	4	87
12184	12	18	4	1-1/2		17	23	7-1/2	14-1/8	15-3/4	N1	10	16	H2	-CEN	1/2	2	102
12186	12	18	6	1-1/2		17	23	9-1/2	14-1/8	15-3/4	N1	12	16	H2	-CEN	1/2	3	116
12188	12	18	8	1-1/2		17	23	11-1/2	14-1/8	15-3/4	N1	12	16	H2	-CEN	1/2	4	120
12205	12	20	5	1-1/2		17	25	8-1/2	14-3/8	15-3/4	N1	10	18	H2	-CEN	1/2	2	111
12244	12	24	4	1-1/2		17-1/8	29-1/8	7-5/8	18-3/4	15-3/4	N1	10	22	H2	-CEN	1/2	2	126
12246	12	24	6	1-1/2		17-1/8	29-1/8	9-5/8	18-3/4	15-3/4	N1	10	22	H2	-CEN	1/2	3	142
12248	12	24	8	1-1/2		17-1/8	29-1/8	11-5/8	18-3/4	15-3/4	N1	10	22	H2	-CEN	1/2	4	154
122410	12	24	10	1-1/2		17-1/8	29-1/8	13-5/8	18-3/4	15-3/4	N1	10	22	H2	-CEN	1/2	4	165
12306	12	30	6	1-1/2		17	35	9-5/8	23	15-3/4	N1	10	28	H2	-CEN	1/2	3	177

* Note: (H1) = Stainless Steel Modular Hinge, (HC1, H2) = Cast Aluminum Hinge

** Available Depth = D + Dc

1025 Eagon Street Barberton, Ohio 44203 Ph: 330-745-8891 Fax: 330-745-2504
www.AkronElectric.Com E-Mail: Sales@AkronElectric.Com



Explosion-Proof Junction Boxes "AXJ" Series

CATALOG NUMBER	INSIDE DIMENSIONS (INCHES)				OUTSIDE DIMENSIONS (INCHES)				MOUNTING (INCHES)	MTG. PAN	MTG. PAN DIM.	HINGE CAT. # *	ATEX Optional ADDER	LUG BOLT SIZE (IN.)	MAX. CONDUIT (INCHES)	EST. WEIGHT (LBS.)	
	AXJ	W	L	D	Dc	A	B	C									E
12364	12	36	4	1-1/2	17	41	7-5/8	29	15-3/4	N1	10	34	3H2	-CEN	1/2	2	197
12366	12	36	6	1-1/2	17	41	9-5/8	29	15-3/4	N1	10	34	3H2	-CEN	1/2	3	210
12368	12	36	8	1-1/2	17	41	11-5/8	29	15-3/4	N1	10	34	3H2	-CEN	1/2	4	222
*12468	12	46	8	1-1/2	17-1/8	51-1/8	11-5/8	15-3/4	39	N1	10	44	3H2	-CEN	1/2	4	260
14144	14	14	4	1-1/2	19-1/8	19-1/8	7-1/2	9-3/4	17-1/2	N1	12	12	H2	-CEN	1/2	2	83
14146	14	14	6	1-1/2	19-1/8	19-1/8	9-1/2	9-3/4	17-3/4	N1	12	12	H2	-CEN	1/2	3	94
14148	14	14	8	1-1/2	19-1/8	19-1/8	11-1/2	9-3/4	17-3/4	N1	12	12	H2	-CEN	1/2	4	104
14286	14	28	6	1-1/2	19-1/8	33-1/8	9-1/2	22-1/2	17-3/4	N1	12	26	H2	-CEN	1/2	3	153
16164	16	16	4	1-1/2	21-1/8	21-1/8	7-5/8	11	19-3/4	N1	14	14	H2	-CEN	5/8	2	103
16166	16	16	6	1-1/2	21-1/8	21-1/8	9-5/8	11	19-3/4	N1	14	14	H2	-CEN	5/8	3	120
16168	16	16	8	1-1/2	21-1/8	21-1/8	11-5/8	11	19-3/4	N1	14	14	H2	-CEN	5/8	4	143
16246	16	24	6	1-1/2	21-1/8	29-1/8	9-7/8	8-3/8	19-3/4	N1	14	22	H2	-CEN	5/8	3	174
16248	16	24	8	1-1/2	21-1/8	29-1/8	11-7/8	18-3/8	19-3/4	N1	14	22	H2	-CEN	5/8	4	194
162410	16	24	10	1-1/2	21-1/8	29-1/8	13-7/8	18-3/8	19-3/4	N1	14	22	H2	-CEN	5/8	4	212
*164610	16	46	10	1-1/2	21-1/8	51-1/8	13-3/4	39	19-3/4	N1	14	44	3H2	-CEN	5/8	4	370
18184	18	18	4	1-1/2	23-1/8	23-1/8	8	13	21-3/4	N1	16	16	H2	-CEN	5/8	2	131
18186	18	18	6	1-1/2	23-1/8	23-1/8	10	13	21-3/4	N1	16	16	H2	-CEN	5/8	3	149
18188	18	18	8	1-1/2	23-1/8	23-1/8	12-3/8	13	21-3/4	N1	16	16	H2	-CEN	5/8	4	176
18246	18	24	6	1-1/2	23-1/8	29-1/8	9-7/8	18-3/8	21-3/4	N1	16	22	H2	-CEN	5/8	3	193
18248	18	24	8	1-1/2	23-1/8	29-1/8	11-7/8	18-3/8	21-3/4	N1	16	22	H2	-CEN	5/8	4	210
182410	18	24	10	1-1/2	23-1/8	29-1/8	13-7/8	18-3/8	21-3/4	N1	16	22	H2	-CEN	5/8	4	234
18308	18	30	8	1-1/2	23-1/8	35-1/8	11-7/8	23	21-3/4	N1	16	28	H2	-CEN	5/8	4	268
18368	18	36	8	1-1/2	23-1/2	41-1/2	12-7/16	30	21-3/4	N1	14	32	3H3	-CEN	5/8	4	410
183610	18	36	10	1-1/2	23-1/2	41-1/2	14-1/4	29	21-3/4	N1	14	32	3H3	-CEN	5/8	4	436
24248	24	24	8	1-1/2	29-1/2	29-1/2	12-1/8	18-3/8	28	N1	20	20	H3	-CEN	5/8	4	306
242410	24	24	10	1-1/2	29-1/2	29-1/2	14-1/8	18-3/8	28	N1	20	20	H3	-CEN	5/8	4	320
24308	24	30	8	1-1/2	29-1/8	35-1/8	11-7/8	23	28	N1	22	28	H3	-CEN	5/8	4	306
24368	24	36	8	1-1/2	30	42	12-9/16	29	28	N1	22	28	3H3	-CEN	5/8	4	471
243610	24	36	10	1-1/2	30	42	14-9/16	29	28	N1	20	32	3H3	-CEN	5/8	4	501
#323612	32	36	6	6	38-1/4	42-1/4	15-7/8	29	36	N1	30	34	3H3	N/A	5/8	4	600
#346810	34	68	5	5	40	74	17-1/8	54	42-1/2	N1	34	64	4H3	N/A	5/8	2	1160
*38388	38	38	8	2	44	44	16-1/8	24	46	N1	36	36	3H3	N/A	5/8	4	840
#383816	38	38	16	0	44	44	23	24	46	N1	36	36	3H3	N/A	5/8	4	900

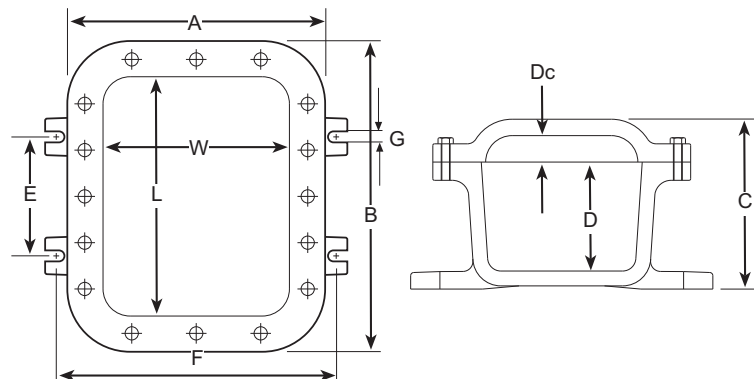
Note: (H2, H3) = Cast Aluminum Hinge

NEMA 4X, 7, 9 enclosures are designed to third party specifications. These boxes carry no formal listings.

* UL / cUL Only enclosures only - (no CSA certification)

** Available Depth = D + Dc

All Dimensions are for Reference Only - C/F for questions regarding design dimensional data



- Consult Factory if larger Mounting Pan is needed
- Mounting feet will be aligned right & left (as shown) unless otherwise specified.
- 9 x 11 x 5 Mounting Feet are top & bottom std.
- For an enclosure size not listed above or a special application, contact Akron Electric.
- All conduit runs must be sealed within 6 inches of the enclosure.
- Note: Enclosures have internal taper (draft) of 1/16" per inch of depth *(dimensions "W" and "L" are across top of base).
- Hinges and mounting pans are not included as standard.
- See pages 33-38 for ordering information, modifications and conduit working area.

X P JUNCTION BOXES



Explosion-Proof Flat Cover Junction Boxes

X
P
J
U
N
C
T
I
O
N
B
O
X
E
S



AXJ-FCS Flat Cover Series
External flange junction box with flat cover

1025 Eagon Street Barberton, Ohio 44203 Ph: 330-745-8891 Fax: 330-745-2504
www.AkronElectric.Com E-Mail: Sales@AkronElectric.Com

Explosion-Proof Flat Cover Junction Boxes “AXJ-FCS” Series



**Over 75 Sizes
Available For
Hazardous Locations**

Applications:

Applications where hazardous gases, vapors, liquids, flammable fibers, flyings or combustible dusts can exist during the time of operation

Locations including Oil / Petroleum Refineries, Waste Water Treatment Plants, Petrochemical Plants, Mining Facilities, etc.

Junction Box can be used to house electrical components for viewing / monitoring.

These components can be controlled or viewed in hazardous environments (indoor & outdoor)

“Try our new Flat Cover Junction Box when space is limited. Attractive Epoxy Coating Finish Available!”

Features:

- Aluminum Flat Panel Cover
- External Machined Flange Joint Design
- Integral Cast Mounting Feet
- Machined Surface Perimeter for ease of hinge installation
- (N5) Stainless Steel or (E3) Triple Lead Stainless Steel Captive Quick Thread Cover Bolts (Optional-Domestic Only)
- Ground Lug Package (Optional)
- Cast Mounting Pan Bosses
- All enclosures suitable for drilling and tapping
- Stainless Steel Shot Blast or Sandblasted natural finish
- Standard round or custom sized windows available
- Cast aluminum and stainless steel hinge (optional)
- All enclosures suitable for NEMA 4X (optional), **specify when required**



Materials:

- Enclosures: Copper-free Aluminum (less than 0.25% copper content)
- Cover Bolts: Cad-Plated (Standard) or Stainless Steel N5 / E3 (Specify)
- Hinges: Stainless Steel or Medium to Heavy Duty Cast Aluminum
- Mounting Pan: Aluminum (Opt.);
Galvanized Steel or Phenolic Materials available upon request.

*Note: Aluminum Mounting Pan will be provided if mounting pan is requested, unless otherwise noted.



Certificate
Number
03.059.1

**ISO
9001 With Design**

Approvals:

- UL CLASSIFIED - Standard 1203, UL-14600
- UL CLASSIFIED - With Viewing window - UL E139669 (meter enclosure)
- cUL (Canada) - Standard C22.2 No. 30-M1986 & No. 25-1966

Compliances:

- CL. I, Div. 1 & 2 Groups B, C & D
- CL. II, Div. 1 & 2 Groups E, F & G
- CL. III
- NEMA 3, 4X (Optional), 7 & 9



Explosion-Proof Flat Cover Junction Boxes "AXJ-FCS" Series

CATALOG NUMBER	INSIDE DIMENSIONS (INCHES)			COVER THICKNESS (INCHES)		OUTSIDE DIMENSIONS (INCHES)				MOUNTING (INCHES)		MTG. PAN DIM.		HINGE CAT. # *	LUG BOLT SIZE (IN.)	MAX. CONDUIT (INCHES)	EST. WEIGHT (LBS.)
	AXJ	W	L	D	BB	A	B	C	E	F	---	W	H				
4164-FCS	4	16	4-1/8	7/8	8	20	5-1/2	12-1/8	6-3/4	N1	3	15	H1/HC1	3/8	2	33	
664-FCS	6	6	4	3/4	9-3/4	9-3/4	5-1/4	5-1/8	9-1/8	N1	5	5	H1/HC1	3/8	2	17	
684-FCS	6	8	4	7/8	9-3/4	11-3/4	5-7/16	4-1/2	9-1/8	N1	5	7	H1/HC1	3/8	2	23	
685-FCS	6	8	5	7/8	9-3/4	11-3/4	6-7/16	4-1/2	9-1/8	N1	5	7	H1/HC1	3/8	2	25	
686-FCS	6	8	6	7/8	9-3/4	11-3/4	7-7/16	4-1/2	9-1/8	N1	5	7	H1/HC1	3/8	2	26	
6104-FCS	6	10	4	7/8	10	14	5-7/16	6-1/2	9-1/8	N1	5	9	H1/HC1	3/8	2	26	
6115-FCS	6	11	5	7/8	10	15	6-27/64	8	9-1/8	N1	5	10	H1/HC1	3/8	2	29	
6124-FCS	6	12	4	7/8	10	16	5-7/16	8-1/2	9-1/8	N1	5	11	H1/HC1	3/8	2	30	
6126-FCS	6	12	6	7/8	10	16	7-7/16	8-1/2	9-1/8	N1	5	11	H1/HC1	3/8	2	36	
6135-FCS	6	13	5	7/8	10	17	6-7/16	9-1/2	9-1/8	N1	5	12	H1/HC1	3/8	2	34	
6164-FCS	6	16	4	7/8	10-1/2	20-1/2	5-17/32	12-1/8	9-1/8	N1	5	15	H1/HC1	3/8	2	42	
6186-FCS	6	18	6	7/8	10-1/2	22-1/2	7-17/32	13-1/8	9-1/8	N1	5	17	H1/HC1	3/8	3	46	
#6485-FCS	6	48	5	7/8	10	52	6-1/4	40	8	N1	5	46	3H1/3HC1	3/8	2	109	
7104-FCS	7	10	4	7/8	11-1/2	14-1/2	5-17/32	6-1/2	9-3/4	N1	6	9	H1/HC1	3/8	2	20	
7106-FCS	7	10	6	7/8	11-1/2	14-1/2	7-17/32	6-1/2	9-3/4	N1	6	9	H1/HC1	3/8	3	25	
7185-FCS	7	18	5	7/8	11-1/2	22-1/2	6-17/32	14-1/2	9-3/4	N1	6	17	H1/HC1	3/8	2	60	
884-FCS	8	8	4	7/8	12-1/2	12-1/2	5-17/32	4-1/2	10-3/4	N1	6-1/2	6-1/2	H1/HC1	3/8	2	33	
886-FCS	8	8	6	7/8	12-1/2	12-1/2	7-17/32	4-1/2	10-3/4	N1	6-1/2	6-1/2	H1/HC1	3/8	3	36	
888-FCS	8	8	8	7/8	12-1/2	12-1/2	9-17/32	4-1/2	10-3/4	N1	6-1/2	6-1/2	H1/HC1	3/8	4	39	
8104-FCS	8	10	4	7/8	12-1/2	14-1/2	5-17/32	6-1/2	10-3/4	N1	6-1/4	8-1/4	H1/HC1	3/8	2	36	
8106-FCS	8	10	6	7/8	12-1/2	14-1/2	7-17/32	6-1/2	10-3/4	N1	6-1/4	8-1/4	H1/HC1	3/8	3	41	
8108-FCS	8	10	8	7/8	12-1/2	14-1/2	9-17/32	6-1/2	10-3/4	N1	6-1/4	8-1/4	H1/HC1	3/8	4	46	
8124-FCS	8	12	4	7/8	12-1/2	16-1/2	5-17/32	8-5/8	10-3/4	N1	6-1/2	10-1/2	H1/HC1	3/8	2	41	
8126-FCS	8	12	6	7/8	12-1/2	16-1/2	7-17/32	8-5/8	10-3/4	N1	6-1/2	10-1/2	H1/HC1	3/8	3	46	
8128-FCS	8	12	8	7/8	12-1/2	16-1/2	9-17/32	8-5/8	10-3/4	N1	6-1/2	10-1/2	H1/HC1	3/8	4	50	
9115-FCS	9	11	5	7/8	13-1/2	15-1/2	6-17/32	6	13-1/8	N1	7-1/2	9-1/2	H1/HC1	3/8	2	46	
10104-FCS	10	10	4	1	14-1/2	14-1/2	5-3/4	6-1/2	13	N1	8-1/2	8-1/2	H1/HC1	3/8	2	40	
10106-FCS	10	10	6	1	14-1/2	14-1/2	7-3/4	6-1/2	13	N1	8-1/2	8-1/2	H1/HC1	3/8	3	50	
10108-FCS	10	10	8	1	14-1/2	14-1/2	9-3/4	6-1/2	13	N1	8-1/2	8-1/2	H1/HC1	3/8	4	57	
10144-FCS	10	14	4	1	14-1/2	18-1/2	5-7/8	10-5/8	13	N1	8	12	H1/HC1	3/8	2	60	
10146-FCS	10	14	6	1	14-1/2	18-1/2	7-7/8	10-5/8	13	N1	8	12	H1/HC1	3/8	3	68	
10148-FCS	10	14	8	1	14-1/2	18-1/2	9-7/8	10-5/8	13	N1	8	12	H1/HC1	3/8	4	75	
12124-FCS	12	12	4	1-1/8	17	17	5-55/64	8-5/8	15-3/4	N1	10	10	H1/HC1	1/2	2	70	
12126-FCS	12	12	6	1-1/8	17	17	7-55/64	8-5/8	15-3/4	N1	10	10	H1/HC1	1/2	3	77	
12126LW-FCS	12	12	6	7/8	16	16	10-3/64	8-5/8	15-3/4	N1	10	10	H1/HC1	1/2	4	58	
12128-FCS	12	12	8	1-1/8	17	17	7-5/8	8-5/8	15-3/4	N1	10	10	H1/HC1	1/2	4	87	
12184-FCS	12	18	4	1-1/8	17	23	6	14-1/8	15-3/4	N1	10	16	H2	1/2	2	102	
12186-FCS	12	18	6	1-1/8	17	23	8	14-1/8	15-3/4	N1	12	16	H2	1/2	3	116	
12188-FCS	12	18	8	1-1/8	17	23	10	14-1/8	15-3/4	N1	12	16	H2	1/2	4	120	
12205-FCS	12	20	5	1-1/8	17	25	7	14-3/8	15-3/4	N1	10	18	H2	1/2	2	111	
12244-FCS	12	24	4	1-1/8	17-1/8	29-1/8	6-3/16	18-3/4	15-3/4	N1	10	22	H2	1/2	2	126	
12246-FCS	12	24	6	1-1/8	17-1/8	29-1/8	8-3/16	18-3/4	15-3/4	N1	10	22	H2	1/2	3	142	
12248-FCS	12	24	8	1-1/8	17-1/8	29-1/8	10-3/16	18-3/4	15-3/4	N1	10	22	H2	1/2	4	154	
122410-FCS	12	24	10	1-1/8	17-1/8	29-1/8	12-3/16	18-3/4	15-3/4	N1	10	22	H2	1/2	4	165	
12306-FCS	12	30	6	1-1/8	17	35	8-1/8	23	15-3/4	N1	10	28	H2	1/2	3	177	

* Note: (H1) = Stainless Steel Modular Hinge, (HC1, H2) = Cast Aluminum Hinge

1025 Eagon Street Barberton, Ohio 44203 Ph: 330-745-8891 Fax: 330-745-2504
www.AkronElectric.Com E-Mail: Sales@AkronElectric.Com

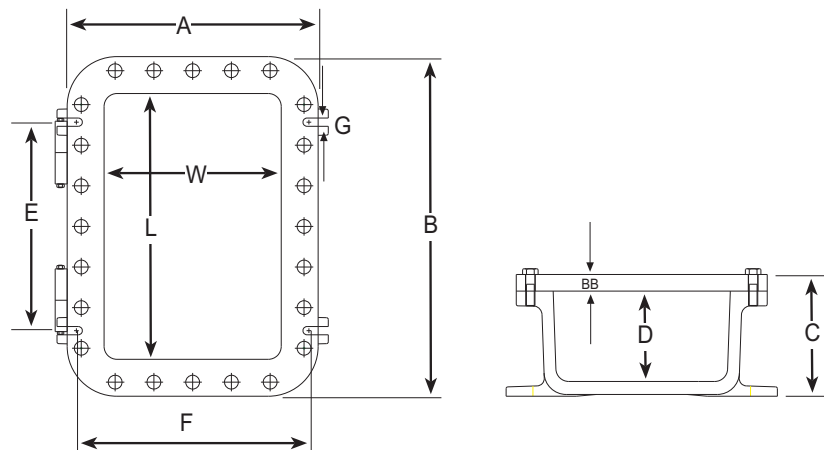
Explosion-Proof Flat Cover Junction Boxes "AXJ-FCS" Series

CATALOG NUMBER	INSIDE DIMENSIONS (INCHES)			COVER THICKNESS (INCHES)	OUTSIDE DIMENSIONS (INCHES)			MOUNTING (INCHES)		MTG. PAN	MTG. PAN DIM.		HINGE CAT. #*	LUG BOLT SIZE (IN.)	MAX. CONDUIT (INCHES)	EST. WEIGHT (LBS.)
	AXJ	W	L		D	BB	A	B	C		E	F				
12364-FCS	12	36	4	1-1/8	17	41	6-1/8	29	15-3/4	N1	10	34	3H2	1/2	2	197
12366-FCS	12	36	6	1-1/8	17	41	8-1/8	29	15-3/4	N1	10	34	3H2	1/2	3	210
12368-FCS	12	36	8	1-1/8	17	41	10-1/8	29	15-3/4	N1	10	34	3H2	1/2	4	222
12468-FCS	12	46	8	1-1/16	17-1/8	51-1/8	10-1/8	15-3/4	39	N1	10	44	3H2	1/2	4	260
14144-FCS	14	14	4	1-1/16	19-1/8	19-1/8	6	9-3/4	17-1/2	N1	12	12	H2	1/2	2	83
14146-FCS	14	14	6	1-1/16	19-1/8	19-1/8	8	9-3/4	17-3/4	N1	12	12	H2	1/2	3	94
14148-FCS	14	14	8	1-1/16	19-1/8	19-1/8	10	9-3/4	17-3/4	N1	12	12	H2	1/2	4	104
14286-FCS	14	28	6	1-1/16	19-1/8	33-1/8	8	22-1/2	17-3/4	N1	12	26	H2	1/2	3	153
16164-FCS	16	16	4	1-1/4	21-1/8	21-1/8	6-1/8	11	19-3/4	N1	14	14	H2	5/8	2	103
16166-FCS	16	16	6	1-1/4	21-1/8	21-1/8	8-1/8	11	19-3/4	N1	14	14	H2	5/8	3	120
16168-FCS	16	16	8	1-1/4	21-1/8	21-1/8	10-1/8	11	19-3/4	N1	14	14	H2	5/8	4	143
16246-FCS	16	24	6	1-1/4	21-1/8	29-1/8	8-3/16	8-3/8	19-3/4	N1	14	22	H2	5/8	3	174
16248-FCS	16	24	8	1-1/4	21-1/8	29-1/8	10-3/16	18-3/8	19-3/4	N1	14	22	H2	5/8	4	194
162410-FCS	16	24	10	1-1/4	21-1/8	29-1/8	12-3/16	18-3/8	19-3/4	N1	14	22	H2	5/8	4	212
164610-FCS	16	46	10	1-3/8	21-1/8	51-1/8	12-1/2	39	19-3/4	N1	14	44	3H2	5/8	4	370
18184-FCS	18	18	4	1-1/4	23-1/8	23-1/8	6-1/4	13	21-3/4	N1	16	16	H2	5/8	2	131
18186-FCS	18	18	6	1-1/4	23-1/8	23-1/8	8-1/4	13	21-3/4	N1	16	16	H2	5/8	3	149
18188-FCS	18	18	8	1-1/4	23-1/8	23-1/8	10-1/4	13	21-3/4	N1	16	16	H2	5/8	4	176
18246-FCS	18	24	6	1-3/8	23-1/8	29-1/8	8-3/8	18-3/8	21-3/4	N1	16	22	H2	5/8	3	193
18248-FCS	18	24	8	1-3/8	23-1/8	29-1/8	10-3/8	18-3/8	21-3/4	N1	16	22	H2	5/8	4	210
182410-FCS	18	24	10	1-3/8	23-1/8	29-1/8	12-3/8	18-3/8	21-3/4	N1	16	22	H2	5/8	4	234
18308-FCS	18	30	8	1-3/8	23-1/8	35-1/8	10-5/8	23	21-3/4	N1	16	28	H2	5/8	4	268
18368-FCS	18	36	8	1-1/2	23-1/2	41-1/2	11	30	21-3/4	N1	14	32	3H3	5/8	4	410
183610-FCS	18	36	10	1-1/2	23-1/2	41-1/2	12-15/16	29	21-3/4	N1	14	32	3H3	5/8	4	436
24248-FCS	24	24	8	1-3/8	29-1/2	29-1/2	10-13/16	18-3/8	28	N1	20	20	H3	5/8	4	306
242410-FCS	24	24	10	1-3/8	29-1/2	29-1/2	12-1/2	18-3/8	28	N1	20	20	H3	5/8	4	320
24308-FCS	24	30	8	1-3/8	29-1/8	35-1/8	10-3/8	23	28	N1	22	28	H3	5/8	4	306
24368-FCS	24	36	8	1-3/8	30	42	11-1/8	29	28	N1	22	28	3H3	5/8	4	471
243610-FCS	24	36	10	1-3/8	30	42	13-1/8	29	28	N1	20	32	3H3	5/8	4	501

NEMA 4X, 7, 9 enclosures are designed to third party specifications. These boxes carry no formal listings.

Note: (H2, H3) = Cast Aluminum Hinge

All Dimensions are for Reference Only - C/F for questions regarding design dimensional data



- Consult Factory if larger Mounting Pan is needed
- Mounting feet will be aligned right & left (as shown) unless otherwise specified.
- 9 x 11 x 5 Mounting Feet are top & bottom std.
- For an enclosure size not listed above or a special application, contact Akron Electric.
- All conduit runs must be sealed within 6 inches of the enclosure.
- Note: Enclosures have internal taper (draft) of 1/16" per inch of depth *(dimensions "W" and "L" are across top of base).
- Hinges and mounting pans are not included as standard.
- See pages 33-38 for ordering information, modifications and conduit working area.



Akron Drilling & Tapping Instructions Customer Design Sheet

Please fill in the appropriate fields to customize your own enclosure
FAX this form to: 330-745-2504 OR
Scan & E-mail this form to: sales@akronelectric.com

Cover Layout

Catalog Product Series: _____ (AXJ, CXJ, etc.)

Quantity of enclosures: ()

Note: For custom machining in cover,
use Center Lines as a central point for
all dimensions
(AXJ Series: Metering Viewing Window Only)

Hinges:

- Stainless Steel Hinges; H1
 Cast Aluminum Hinges; HC1, H2, H3

Hinge Location:

- Left
 Right

Certification:

- UL
 UL/CSA
 CSA
 ATEX (-CEN)
 No formal certification, NEMA 7 Only

O-Ring:

- YES
 NO

Bolts:

- Stainless Steel (-N5), req'd. with N4
 S.S. Captive Quick Thread (-E3)
(Triple Lead)
 Standard

Mounting Feet:

- Right/Left
 Top/Bottom

Mounting Pan:

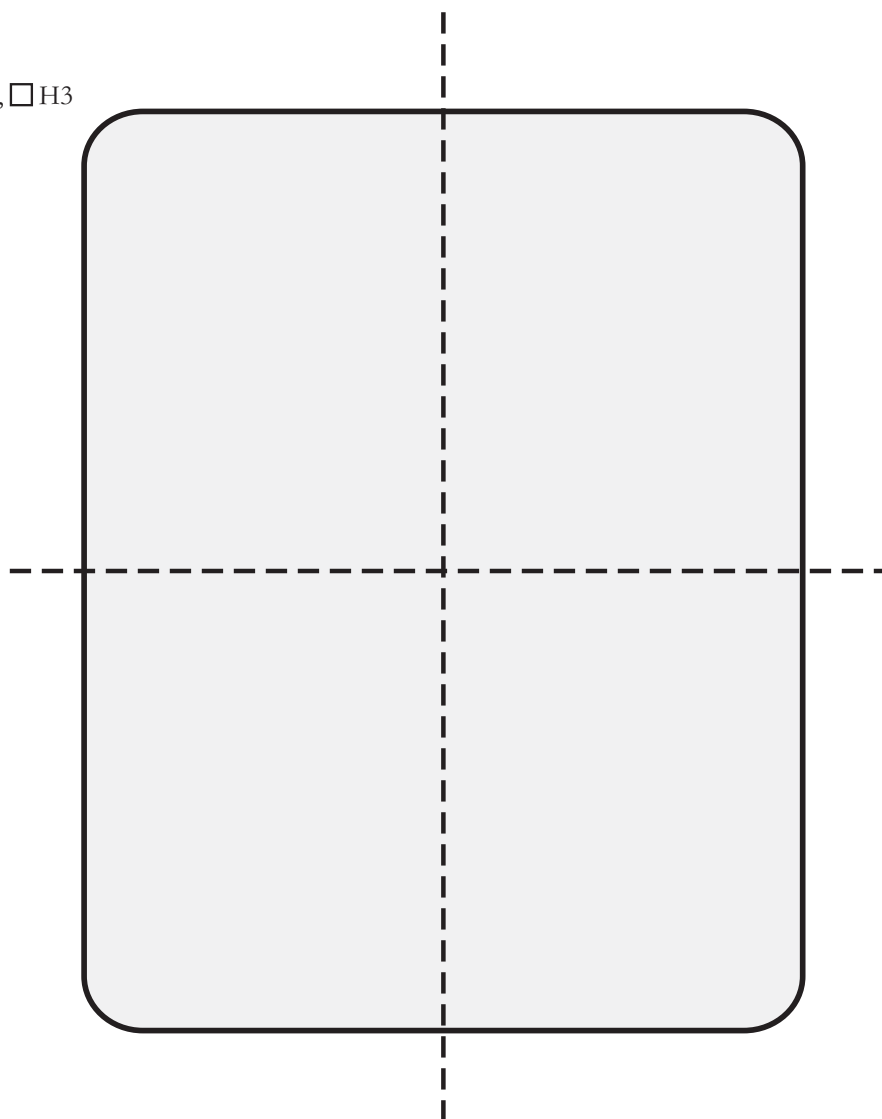
- Standard (Aluminum) (-N1)
 Galvanized (-N2)
 Phenolic (-N3)

Breather / Drain:

- Breather
 Drain
 Breather & Drain

Hinge Lift:

- HL



Akron Electric, Inc.

Manufacturers of Explosion-Proof Enclosures & Electrical Systems

Akron Drilling & Tapping Instructions Customer Design Sheet

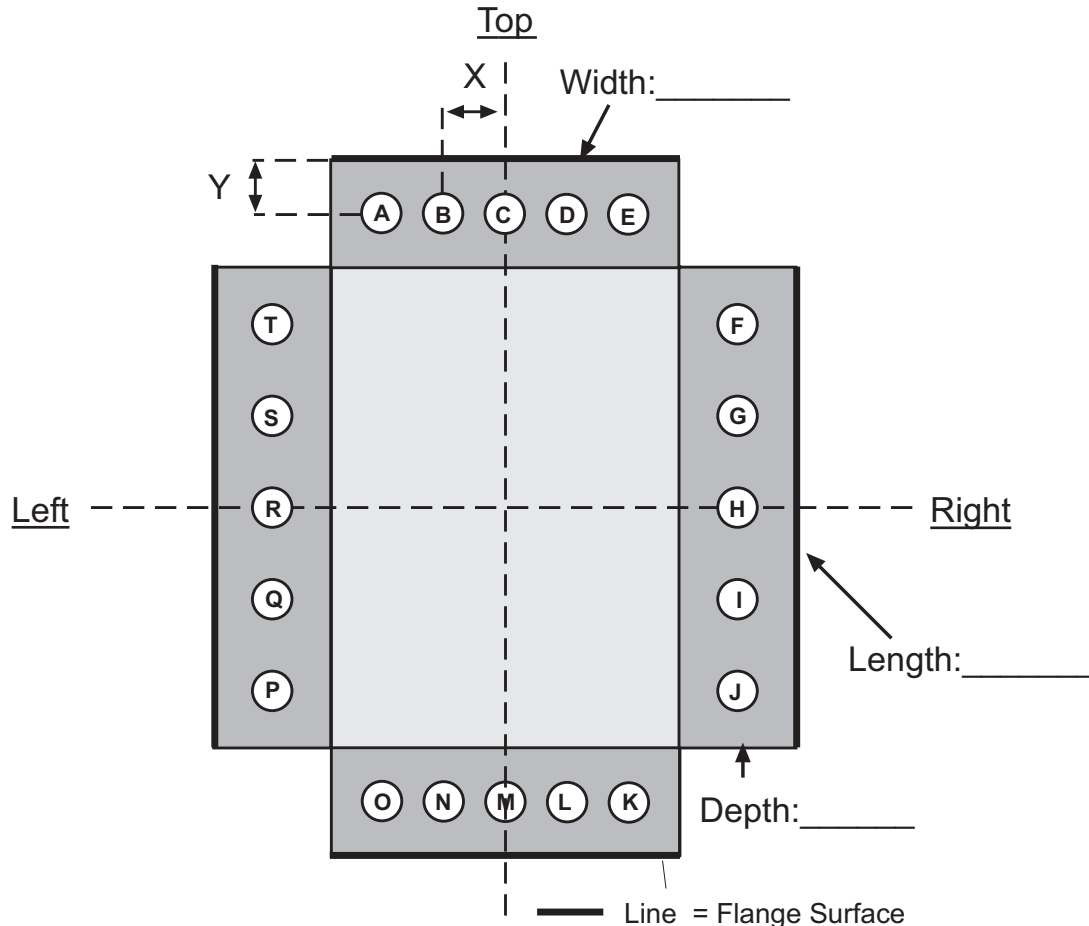
X
P
J
U
N
C
T
I
O
N
B
O
X
E
S

Please fill in the appropriate fields to customize your own enclosure
 FAX this form to: 330-745-2504 OR
 Scan & E-mail this form to: sales@akronelectric.com

Base Layout

Catalog Product Series: _____ (AXJ, CXJ, etc.)

Quantity of enclosures: (_____)



Note: X = Distance from Center Line
 Y = Distance from Top of Enclosure (Flange Surface)

Bottom

Location	NPT Description:	Size	X	Y
A				
B				
C				
D				
E				
F				
G				
H				
I				
J				
K				

Location	NPT Description:	Size	X	Y
L				
M				
N				
O				
P				
Q				
R				
S				
T				
Breather		1/2" NPT		
Drain		1/2" NPT		



Explosion-Proof Junction Box Ordering Information

TABLE I - OPTIONAL MODIFICATIONS

H1= Stainless Steel Hinge kit (used for AXJ 12126 and smaller)
 HC1= Aluminum Cast Hinge kit (available for AXJ 12126 and smaller)
 H2= Medium Duty Cast Aluminum Hinge kit (used for AXJ 12184 to AXJ 18308 enclosures)
 H3= Heavy Duty Cast Aluminum Hinge kit (used for AXJ 18368 to AXJ 346810 enclosures)
 N1= Aluminum mounting panel
 N2= Galvanized mounting panel
 N3= Phenolic mounting panel

N4= NEMA 4 O-ring gasket
 N5= Stainless Steel rust proof cover bolts
 E1= Corrosion proof epoxy coating on outside
 E2= Corrosion proof epoxy coating on inside/outside
 E3= Triple Lead Stainless Steel (316) Captive Quick Thread cover bolts
 BD= Breather or Drain with 1/2" NPT (please specify)
 2BD= Breather & Drain

*Note: Multiple Hinges needed on some enclosures

TABLE II - CONDUIT SPACING

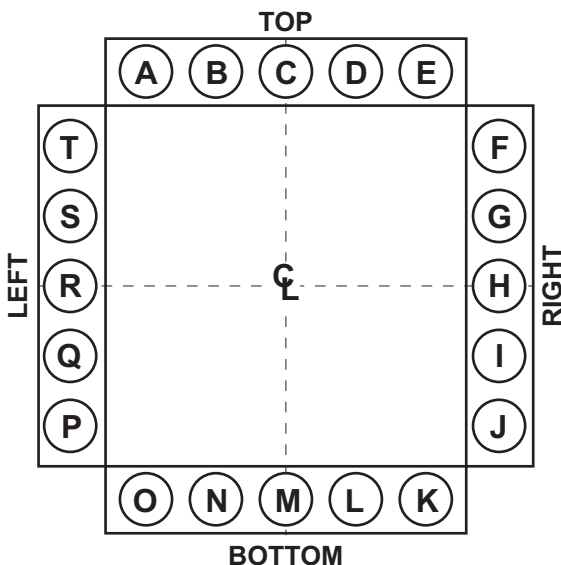
Outlet Code	Trade Size of Conduit (NPT)	MINIMUM CENTER TO CENTER CONDUIT SEPARATIONS INCHES (mm)									
		4 (M90)	3-1/2 (M85)	3 (M80)	2-1/2 (M75)	2 (M63)	1-1/2 (M50)	1-1/4 (M40)	1 (M32)	3/4 (M25)	1/2 (M20)
1	1/2	3-5/8 (92.08)	3-3/8 (85.73)	3 (76.2)	2-5/8 (66.68)	2-3/8 (60.33)	2 (50.8)	2 (50.8)	1-3/4 (44.45)	1-5/8 (41.28)	1-1/2 (38.1)
2	3/4	3-3/4 (95.25)	3-1/2 (88.9)	3-1/8 (79.38)	2-3/4 (69.85)	2-1/2 (63.5)	2-1/8 (53.98)	2-1/8 (53.98)	1-7/8 (47.63)	1-3/4 (44.45)	
3	1	4 (101.6)	3-5/8 (92.08)	3-1/4 (82.55)	3 (76.2)	2-5/8 (66.68)	2-3/8 (60.33)	2-3/8 (60.33)	2 (50.8)		
4	1-1/4	4-1/4 (107.95)	4 (101.6)	3-5/8 (92.08)	3-1/4 (82.55)	3 (76.2)	2-5/8 (66.68)	2-5/8 (66.68)			
5	1-1/2	4-1/4 (107.95)	4 (101.6)	3-5/8 (92.08)	3-1/4 (82.55)	3 (76.2)	2-5/8 (66.68)				
6	2	4-5/8 (117.48)	4-1/4 (107.95)	3-7/8 (98.43)	3-5/8 (92.08)	3-1/4 (82.55)					
7	2-1/2	4-7/8 (123.83)	4-5/8 (117.48)	4-1/4 (107.95)	3-7/8 (98.43)						
8	3	5-3/8 (136.53)	5 (127)	4-5/8 (117.48)							
9	3-1/2	5-5/8 (142.88)	5-1/4 (133.35)								
10	4	5-7/8 (149.23)									

Size	Pitch	Trade Size of Conduit (NPT)	Threads Per Inches	Minimum Wall Thickness (Inches)
M50	1.5, 2	1/2 - 3/4	14	.357
M80	2	1 - 2	11-1/2	.435
M90	2	2-1/2 - 4	8	.625

* If seals are used, extra clearance may be required. Check dimensions of seals and fittings to determine required spacing. Consult factory for assistance.

TABLE III - CONDUIT LOCATIONS

ORDERING INSTRUCTIONS



- 1) Select enclosure size.
- 2) Select modifications from table I.
- 3) Select letter from table III to specify each conduit hole location.
- 4) Select the outlet code number to indicate the size desired conduit from table II.
- 5) Add all modifications from table I to the end of the junction box catalog number.
- 6) List conduit size and location on separate line from catalog number modifications.

Example:

**AXJ12186-H2-N1-N4-N5
(C1-H3-M2-R2)**

Example above includes the following:

- AXJ 12" X 18" X6" Enclosure
 (H2) Medium duty cast hinge
 (N1) Mounting pan
 (N4) NEMA 4X O-ring gasket
 (N5) Corrosion proof Stainless steel rust proof cover bolts
 (1) 1/2" NPT hole at location "C"
 (1) 1" NPT hole at location "H"
 (1) 3/4" NPT hole at location "M" & "R"

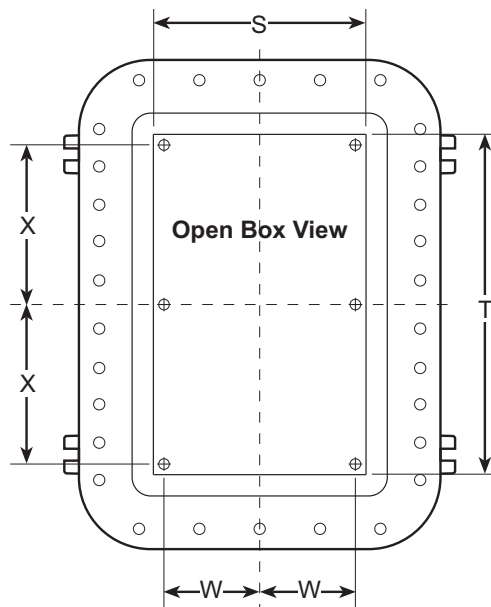
Explosion-Proof Junction Box Mounting Pans & Hinges

AXJ & AXJ-FCS

Mounting Pan Dimensions / Specifications

Box Inside Dimension		Mounting Pan Dimension		Mounting Boss Dimension		Number of Bosses	Hinge Type	Box Inside Dimension		Mounting Pan Dimension		Mounting Boss Dimension		Number of Bosses	Hinge Type
W	L	S	T	W	X			W	L	S	T	W	X		
4	16	3	15	---	---	0	H1/HC1	12	20	10	18	4-1/2	8-1/2	4	H2
6	6	5	5	1-3/4	1-3/4	4	H1/HC1	12	24	10	22	4-1/2	10-1/2	4	H2
6	8	5	7	1-3/4	2-3/4	4	H1/HC1	12	30	10	28	4-1/2	13-1/2	6	H2
6	10	5	9	1-1/2	3-1/2	4	H1/HC1	12	36	10	34	4	16	6	*H2
6	11	5	10	1-1/2	4-1/2	4	H1/HC1	12	46	10	44	4	21	6	*H2
6	12	5	11	1-1/2	4-1/2	4	H1/HC1	14	14	12	12	5-1/2	5-1/2	4	H2
6	13	5	12	1-1/2	5	4	H1/HC1	14	28	12	26	5	12	6	H2
6	16	5	15	1-1/2	6-1/2	4	H1/HC1	16	16	14	14	6-1/2	6-1/2	4	H2
6	18	5	17	1-1/2	6-1/2	4	H1/HC1	16	24	14	22	6-1/2	10	4	H2
6	48	5	46	---	20	4	*H1/HC1	16	46	14	44	6	21	6	*H2
7	10	6	9	2	3-1/2	4	H1/HC1	18	18	16	16	7	7	4	H2
7	18	6	17	2-1/2	6-1/2	4	H1/HC1	18	24	16	22	7-1/2	10	6	H2
8	8	6-1/2	6-1/2	2-1/2	2-1/2	4	H1/HC1	18	30	16	28	7	13	6	H2
8	10	6-1/4	8-1/4	2-1/2	3-1/2	4	H1/HC1	18	36	14	32	6	14-1/2	6	*H3
8	12	6-1/2	10-1/2	2-1/2	4-1/2	4	H1/HC1	24	24	20	20	9	9	6	H3
9	11	7-1/2	9-1/2	3	4	4	H1/HC1	24	30	22	28	10	13	6	H3
10	10	8-1/2	8-1/2	3-1/2	3-1/2	4	H1/HC1	24	36	20	32	8-1/2	14-1/2	6	*H3
10	14	8	12	3-3/8	5-5/16	4	H1/HC1	32	36	30	34	14	16	6	*H3
12	12	10	10	4-1/2	4-1/2	4	H1/HC1	34	68	32	66	---	---	0	*H3
12	12LW	10	10	4-1/2	4-1/2	0	H1/HC1	38	38	36	36	---	---	0	*H3
12	18	10	16	4-1/2	7-1/2	4	H2	Note: All dimensions are for reference only, in inches Note: C/F If larger Mounting Pan Required Note: Mounting Bosses are 1/8" standard height. This dimension is not a part of dimension "D" - depth of enclosure base.							

* Additional hinges are required for enclosures with lengths (L) of 36 inches or longer.
Note: Hinges are mounted on left side as standard (unless specified).





Explosion-Proof Junction Box Mounting Pans & Hinges

Junction Box Hinge Kit Nomenclatures

Enclosure Size	Hinge	Enclosure Size	Hinge
4164	H1/HC1	12366	3H2
664	H1/HC1	12368	3H2
684	H1/HC1	12468	3H2
685	H1/HC1	14144	H2
686	H1/HC1	14146	H2
6104	H1/HC1	14148	H2
6115	H1/HC1	14286	H2
6124	H1/HC1	16164	H2
6126	H1/HC1	16166	H2
6135	H1/HC1	16168	H2
6164	H1/HC1	16246	H2
6186	H1/HC1	16248	H2
6485	3H1/3HC1	162410	H2
7104	H1/HC1	164610	3H2
7106	H1/HC1	18184	H2
7185	H1/HC1	18186	H2
884	H1/HC1	18188	H2
886	H1/HC1	18246	H2
888	H1/HC1	18248	H2
8104	H1/HC1	182410	H2
8106	H1/HC1	18308	H2
8108	H1/HC1	18368	3H3
8124	H1/HC1	183610	3H3
8126	H1/HC1	24248	H3
8128	H1/HC1	242410	H3
9115	H1/HC1	24308	H3
10104	H1/HC1	24368	3H3
10106	H1/HC1	243610	3H3
10108	H1/HC1	323612	3H3
10144	H1/HC1	346810	4H3
10146	H1/HC1	38388	3H3
10148	H1/HC1	383816	3H3
12124	H1/HC1		
12126	H1/HC1		
12126LW	H1/HC1		
12128	H1/HC1		
12184	H2		
12186	H2		
12188	H2		
12205	H2		
12244	H2		
12246	H2		
12248	H2		
122410	H2		
12306	H2		
12364	3H2		



H1



H2/H3

Note: (H1) = Stainless Steel Modular Hinge
(HC1, H2 & H3) = Cast Aluminum Hinge

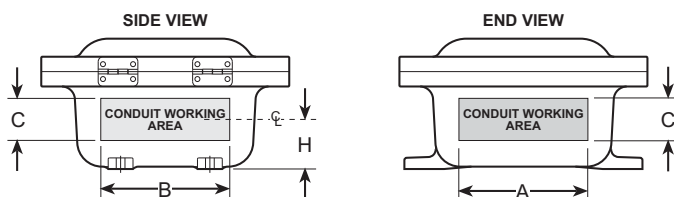
Explosion-Proof Junction Box Conduit Working Area

AXJ & AXJ-FCS

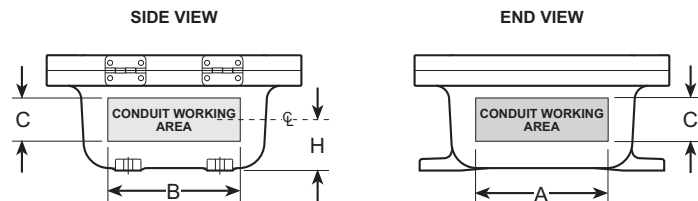
ENCLOSURE CATALOG NUMBER AXJ	SHORT SIDE		LONG SIDE		CL OF WORKING AREA H	ENCLOSURE CATALOG NUMBER AXJ	SHORT SIDE		LONG SIDE		CL OF WORKING AREA H
	WIDTH A	DEPTH C	LENGTH B	DEPTH C			WIDTH A	DEPTH C	LENGTH B	DEPTH C	
4164	2-1/2	2-1/8	14-1/2	2-1/8	2-1/2	12205	9-13/16	2-5/8	17-13/16	2-5/8	3-1/8
664	4-3/4	2-3/8	4-3/4	2-3/8	2-1/4	12244	10	1-5/8	22	1-5/8	2-3/4
684	4-3/4	2-1/4	6-3/4	2-1/4	2-3/8	12246	9-13/16	3-5/8	21-13/16	3-5/8	3-3/4
685	4-1/2	3-1/4	6-1/2	3-1/4	2-7/8	12248	9-11/16	5-5/8	21-11/16	5-5/8	4-3/4
686	4-1/2	4-1/4	6-1/2	4-1/4	3-3/8	122410	9-9/16	7-5/8	21-9/16	7-5/8	5-3/4
6104	4-3/4	2-3/8	8-3/4	2-3/8	2-3/8	12306	9-13/16	3-5/8	27-13/16	3-5/8	3-3/4
6115	4-5/16	3-1/8	9-5/16	3-1/8	3-7/8	12364	8-1/2	1-1/4	32-1/2	1-1/4	2-7/8
6124	4-1/2	2-1/8	10-1/2	2-1/8	2-3/8	12366	8-5/16	3-1/4	32-5/16	3-1/4	3-7/8
6126	4-5/16	4-1/8	10-5/16	4-1/8	3-3/8	12368	8-3/16	5-1/4	32-3/16	5-1/4	4-7/8
6135	4-5/16	3-1/8	11-5/16	3-1/8	2-7/8	12468	8-3/16	5-1/4	42-3/16	5-1/4	4-7/8
6164	4-3/4	2-1/8	14-3/4	2-1/8	2-1/2	14144	12	1-5/8	12	1-5/8	2-3/4
6186	4-9/16	4-1/8	16-9/16	4-1/8	3-1/2	14146	11-13/16	3-5/8	11-13/16	3-5/8	3-3/4
6485	4-1/2	3-1/8	46-1/2	3-1/8	3-5/8	14148	11-11/16	5-5/8	11-11/16	5-5/8	4-3/4
7104	5-1/2	2-1/8	8-1/2	2-1/8	2-1/2	14286	10-5/16	3-1/4	24-5/16	3-1/4	3-7/8
7106	5-5/16	4-1/8	8-5/16	4-1/8	3-1/2	16164	14	1-1/2	14	1-1/2	2-3/4
7185	5-7/16	3-1/8	16-7/16	3-1/8	3	16166	13-13/16	3-1/2	13-13/16	3-1/2	3-3/4
884	6-1/2	2-1/8	6-1/2	2-1/8	2-1/2	16168	13-11/16	5-1/2	13-11/16	5-1/2	4-3/4
886	6-5/16	4-1/8	6-5/16	4-1/8	3-1/2	16246	13-13/16	3-1/2	21-13/16	3-1/2	3-5/8
888	6-3/16	6-1/8	6-3/16	6-1/8	4-1/2	16248	13-11/16	5-1/2	21-11/16	5-1/2	4-5/8
8104	6-1/2	2-1/8	8-1/2	2-1/8	2-1/2	162410	13-9/16	7-3/8	21-9/16	7-3/8	5-3/4
8106	6-5/16	4-1/8	8-5/16	4-1/8	3-1/2	164610	12-1/16	7	42-1/16	7	6
8108	6-3/16	6-1/8	8-3/16	6-1/8	4-1/2	18184	15-3/4	1-3/8	15-3/4	1-3/8	2-3/4
8124	6-1/2	2-1/8	10-1/2	2-1/8	2-1/2	18186	15-9/16	3-3/8	15-9/16	3-3/8	3-3/4
8126	6-5/16	4-1/8	10-5/16	4-1/8	3-1/2	18188	15-7/16	5-3/8	15-7/16	5-3/8	5-1/8
8128	6-3/16	6-1/8	10-3/16	6-1/8	4-3/8	18246	15-9/16	3-1/4	21-9/16	3-1/4	3-3/4
9115	7-5/16	3-1/8	9-5/16	3-1/8	3	18248	15-7/16	5-1/4	21-7/16	5-1/4	4-3/4
10104	8-1/2	2	8-1/2	2	2-1/2	182410	15-5/16	7-1/4	21-5/16	7-1/4	5-3/4
10106	8-5/16	4	8-5/16	4	3-1/2	18308	15-7/16	5-1/4	27-7/16	5-1/4	4-3/4
10108	8-3/16	6	8-3/16	6	4-1/2	18368	14-3/16	3-5/8	32-3/16	3-5/8	5-3/8
10144	8	1-3/4	12	1-3/4	2-5/8	183610	14-1/16	6-1/2	32-1/16	6-1/2	6-1/4
10146	7-13/16	3-3/4	11-13/16	3-3/4	3-5/8	24248	21-15/16	5	21-15/16	5	5-1/2
10148	7-11/16	5-3/4	11-11/16	5-3/4	4-5/8	242410	21-13/16	6-5/8	21-13/16	6-5/8	6-1/4
12124	10	1-5/8	10	1-5/8	2-5/8	24308	21-7/16	5-1/4	27-7/16	5-1/4	4-3/4
12126	9-13/16	3-5/8	9-13/16	3-5/8	3-5/8	24368	21-15/16	3	33-15/16	3	5-3/4
12126LW	10-1/4	4-1/4	10-1/4	4-1/4	3-3/4	243610	21-13/16	5-5/8	33-13/16	5-5/8	6-3/8
12128	9-11/16	5-5/8	9-11/16	5-5/8	4-13/16	323612	29	2-3/4	33	2-3/4	4-3/4
12184	10	1-5/8	16	1-5/8	2-5/8	346810	21-9/16	2-1/8	55-9/16	2-1/8	4-7/8
12186	9-13/16	3-5/8	15-13/16	3-5/8	3-5/8	38388	22	5-1/8	22	5-1/8	7-1/2
12188	9-11/16	5-5/8	15-11/16	5-5/8	4-5/8	383816	22	5-1/8	22	5-1/8	7-1/2

Note: All dimensions are for reference only, in inches - C/F for questions regarding design dimensional data

AXJ



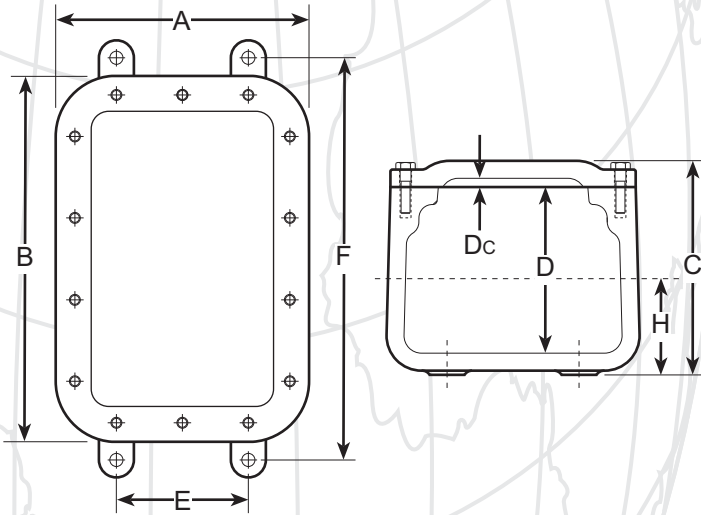
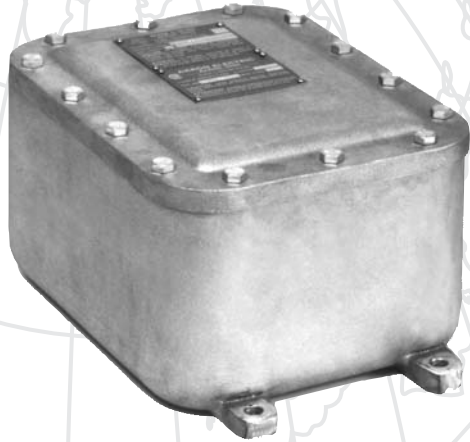
AXJ-FCS





Explosion-Proof Junction Boxes “EXI” Series

X P
J
U
N
C
T
I
O
N
B
O
X
E
S



Dimensions

CATALOG NUMBER	INSIDE DIMENSIONS (INCHES)				OUTSIDE DIMENSIONS (INCHES)			MOUNTING (INCHES)		LUG BOLT SIZE (INCHES)	CL OF CONDUIT AREA (INCHES)	MAX. CONDUIT (INCHES)	EST. WEIGHT (LBS.)
	W	L	D	Dc	A	B	C	E	F				
EXI 684	5-1/2	7-1/2	4-1/2	1/4	8-1/4	10-1/4	6-1/8	5	11-1/2	5/16	2-1/2	2	19
EXI 886	7-1/2	7-1/2	6	1/4	10-3/4	10-3/4	8	6	12-1/2	3/8	3-13/16	3	36
EXI 8126	6-3/4	10-3/4	6	1/4	10	14	8	5	16	1/2	3-13/16	3	46
EXI 8148	6-3/4	12-3/4	8	1/4	10	16	10	5	17-7/8	1/2	4-13/16	4	54
EXI 12126	11-1/2	11-1/2	6	1/4	15-3/4	15-3/4	8-5/16	9	17-1/2	1/2	3-5/8	3	79

Note: All dimensions are for reference only

“When space is tight, try our internal machined flange joint design EXI Series.”

Features:

- Internal machined flange joint design
- Integral cast mounting feet
- Ground lug package
- Cast mounting bosses
- All enclosures are suitable for field drilling and tapping
- Stainless Steel Shot

Materials:

- Enclosures: Copper-free Aluminum (less than 0.25% copper content)
- Cover Bolts: Cad-Plated Aluminum (Std.) or Stainless Steel (Optional)
- Hinges: Stainless Steel (Optional)
- Mounting Pan (Opt.): Aluminum*, Stainless Steel, Galvanized
- O-Ring (Opt.): Buna-N

*Note: Aluminum Mounting Pan will be provided if mounting pan is requested, unless otherwise noted.



Certificate Number 03.059.1

ISO 9001 With Design

Approvals:

- UL CLASSIFIED - Standard 886 - E94590
- CSA Certified (Canada) - Standard C22.2 No. 30-M1984 - LR64264

Compliances:

- N.E.C. (CSA) - Class. I, Div. 1 & 2 Groups B, C & D, NEMA 4X
- N.E.C. (UL) - Class I, Div 1 & 2 Groups C & D
- Class. II, Div. 1 & 2 Groups E, F & G
- Class. III
- NEMA 7 & 9

Explosion-Proof Junction Boxes “AXI” Series

“When a smaller enclosure is needed try our AXI Series. For controls in the same style enclosure see our CXI Series.”

Features:

All enclosures are available in NEMA 4X with neoprene gasket for water tight applications

All enclosures are suitable for field drilling and tapping.

Cast from copper-free aluminum (max. 0.25% copper content)

Attractive wheelabraste finish

Durable cast mounting feet and easily accessible grounding screw

Expanded internal space for splicing or terminal blocks

Ordering Instructions:

All “AXI” enclosures are shipped blank (no conduit holes) unless specified. Specify conduit size and location when ordering. See order form page.

To order NEMA-4 gasket, add suffix “N4” to part number (AXI 333-N4).

To order enclosures with operators (3/4” NPSM holes), see “CXI” series enclosures

Consult factory for specifications

See “order form page” on additional information to customize this enclosure.

Materials:

Enclosures: Copper-free Aluminum (less than 0.25% copper content)

Cover Bolts: Cad-Plated or Stainless Steel (Please Specify)

Mounting Pan (Opt.): Aluminum*, Phenolic, Galvanized

*Note: Aluminum Mounting Pan will be provided if mounting pan is requested, unless otherwise noted.



Applications:

To be used as a Junction Box when space is limited

For use in Waste Water Treatment Plants, Processing Facilities, Refineries, Chemical Plants and other Hazardous Locations



Certificate
Number
03.059.1

ISO
9001 With Design

Approvals:

UL CLASSIFIED - Standard 886 - E94590

cUL (AXI 4 & 6) - Standard C22.2 No. 30-M1986 and No. 25-1966

CSA Certified (AXI 3) - Standard C22.2 No. LR64264

Compliances:

N.E.C. - Class. I, Div. 1 & 2 Groups B*, C & D

Class. II, Div. 1 & 2 Groups E, F & G

Class. III

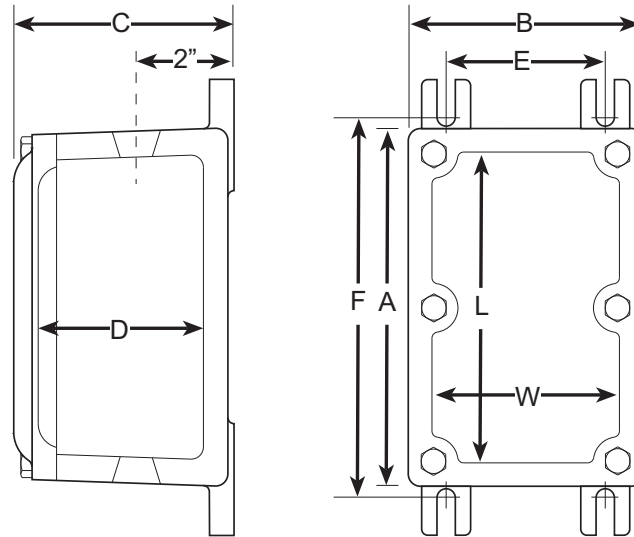
NEMA 7 & 9 (Optional 3, 4X)

* - AXI 484 Only



Explosion-Proof Junction Boxes "AXI" Series

X P JUNCTION BOXES



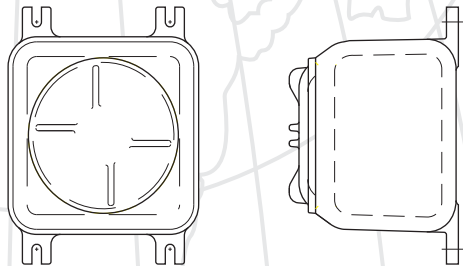
AXI Dimensions											
Catalog Number	Nominal Inside Dimensions			Dimensions In Inches					Est. Lbs.	Max. Conduit Size	Mtg. Bolt Size
	W	L	D	A	B	C	F	E			
AXI 333	3-1/2	3-1/2	3	4-9/16	4-9/16	4-1/2	5-1/2	3-1/4	5	1-1/4"	1/4"
AXI 363	3-1/2	6	3	7-1/16	4-9/16	4-1/2	8	3-1/4	6	1-1/4"	1/4"
AXI 373	3-1/2	7	3	8-1/16	4-9/16	4-1/2	9	3-1/4	7	1-1/4"	1/4"
AXI 393	3-1/2	9	3	10-1/16	4-9/16	4-1/2	11	3-1/4	8	1-1/4"	1/4"
AXI 3113	3-1/2	11	3	12-1/16	4-9/16	4-1/2	13	3-1/4	10	1-1/4"	1/4"
AXI 3133	3-1/2	13	3	14-1/16	4-9/16	4-1/2	15	3-1/4	11	1-1/4"	1/4"
AXI 3153	3-1/2	15	3	16-1/16	4-9/16	4-1/2	17	3-1/4	12	1-1/4"	1/4"
AXI 3183	3-1/2	18	3	19-1/16	4-9/16	4-1/2	20	3-1/4	14	1-1/4"	1/4"

AXI Dimensions											
Catalog Number	Nominal Inside Dimensions			Dimensions In Inches					Est. Lbs.	Max. Conduit Size	Mtg. Bolt Size
	W	L	D	A	B	C	F	E			
AXI 484	4-1/4	8	4	10-29/64	6-45/64	5-5/8	11-1/2	5-1/4	19	2"	1/4"
AXI 6104	6-1/2	10	4	11-1/16	7-9/16	6-1/8	11-27/32	6-1/4	21	2"	1/4"
AXI 6174	6-1/2	17	4	18-5/16	7-13/16	6-1/8	18-3/4	6-1/4	33	2"	1/4"
AXI 6244	6-1/2	24	4	25-13/16	7-13/16	6-1/8	26-1/4	6-1/4	45	2"	1/4"
AXI 6304	6-1/2	30	4	31-13/16	7-13/16	6-1/8	32-1/4	6-1/4	56	2"	1/4"

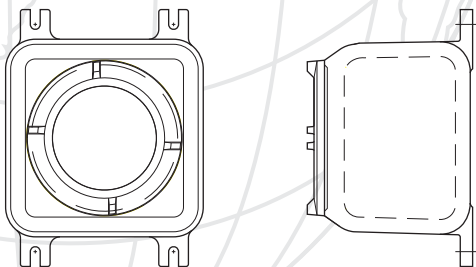
Note: All dimensions are for reference only

Explosion-Proof Threaded Cover / Metering Junction Box "XJATS / XJATG" Series

XJATS Solid-Cover Instrument Housing



XJATG Viewing-Glass Cover Metering Enclosure



"The XJAT Series Instrument Housing / Metering Enclosure comes standard with an easy access solid or glass NEMA 4X screw top cover"

Features:

- Threaded opening design provides easy access to components.
- Integral cast mounting feet.
- All enclosures suitable for drilling and tapping.
- Cast from copper - free aluminum - max. 0.25% copper content.
- Stainless steel shot blast or sandblasted natural finish.
- Available with solid or glass covers.
- NEMA 4X "O-Ring" standard with all threaded enclosures.



Certificate
Number
03.059.1

ISO
9001 With Design

Approvals:

- UL CLASSIFIED - Standard 886
- CSA Certified (Canada) - Standard C22.2 No. 30-M1986 & No. 25-1966

Compliances:

- N.E.C. - Class. I, Div. 1 & 2, Groups B, C & D
- Class. II, Div. 1 & 2, Groups E, F & G
- Class. III, Enclosure 4X
- NEMA 3, 4X, 7 & 9

ATEX Certification: (Optional)



- Exd IIC; IP 66 Rating; -20 C to +40 C;
- EN 50014 : 1997; EN 50018 : 2000
- Most current ATEX Directive *pending* (C/F for details)
- If ATEX Certification is required, please specify.
- Add "-CEN" to Part Number to designate ATEX. (Optional)



Explosion-Proof Junction Box "XJATS" Threaded Solid Cover Series

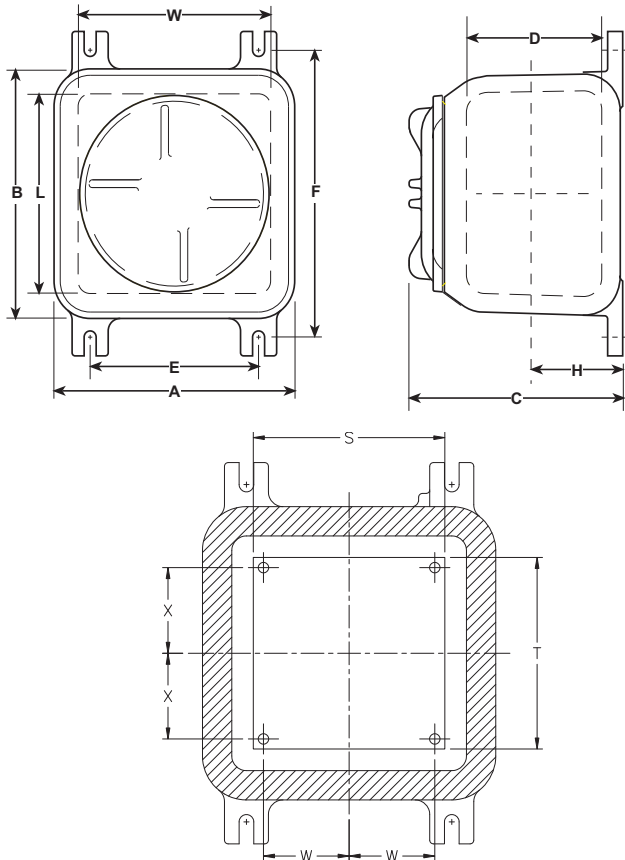
Catalog Number	Inside Dimensions (Inches)			Throat Opening	Outside Dimensions (Inches)			Mounting (Inches)		Conduit NPT		Weight (Lbs.) Est.
	W	L	D		A	B	C	E	F	Max Size	Standard LOC "H"	
# XJATS0*	3-3/4	3-3/4	2-11/16	4	4-3/4	4-3/4	5-1/2	3-3/4	5-5/8	1-1/4	1-7/8	5
# XJATS1	5	5	3-1/8	4-3/4	6	6	6	4	7	2	2-3/16	9
# XJATS2	6	6	4-1/8	5-3/4	7-1/4	7-1/4	7	5	8-1/2	2	2-13/16	12
# XJATS3	6-1/2	6	4-1/2	5-3/4	7-3/4	7-1/4	7-3/8	6	8-3/4	2	3	13
# XJATS4	7	7	6-1/8	5-3/4	8-1/4	8-1/4	9	5-1/2	9-1/2	2	3-13/16	20
XJATS5	8	8	4-1/8	7-1/8	9-1/2	9-1/2	7-3/8	7	11-1/2	2	2-15/16	26
XJATS6	8	8	6-1/8	7-1/8	9-1/2	9-1/2	9-3/8	7	11-1/2	2	3-15/16	29
XJATS7	8	10	6-1/8	7-1/8	9-1/2	11-1/2	9-3/8	6-3/4	13-1/2	2	3-15/16	36
XJATS8	10	10	6-1/8	9-1/8	11-3/4	11-3/4	9-3/4	8-1/2	13-1/2	3	4-1/16	45
XJATS9	10	10	8-1/8	9-1/8	11-3/4	11-3/4	11-3/4	8-1/2	13-1/2	3	5-1/16	51
XJATS10	12	11	7-1/2	10-1/8	13-3/4	12-3/4	11-1/4	10-3/4	14-1/2	3	4-3/4	55
XJATS11	12	12	6-1/8	9-1/8	13-3/4	13-3/4	9-3/4	10-1/2	15-1/2	3	4-1/16	54
# XJATS12	6	5-1/2	4-1/8	5-3/4	7	6-1/2	6-7/8	5-3/4	7-1/2	2	2-13/16	12

Two diagonally positioned mounting feet are standard with enclosures XJATS0, 1, 2, 3, 4 & 12

* Approval Pending - C/F for details

Note: All dimensions are for reference only

Consult Factory for custom machining requirements



Mounting Pans (XJATS/G/D Series)

XJATS / G / D Number	Mounting Pan Dimension		Mounting Boss Dimension	
	S	T	W	X
XJATS1	3-3/4	3-3/4	1.563	1.563
XJATS2	4-3/4	4-3/4	2.063	2.063
XJATS3	4-3/4	4-3/4	2.063	2.063
XJATS4	5-1/2	5-1/2	2.438	2.438
XJATS5	6-1/2	6-1/2	2.938	2.938
XJATS6	6-1/2	6-1/2	2.938	2.938
XJATS7	6-1/2	8	2.938	3.688
XJATS8	8	8	3.688	3.688
XJATS9	8-1/2	8-1/2	3.938	3.938
XJATS10	8-1/2	8-1/2	3.938	3.938
XJATS11	8-1/2	8-1/2	3.938	3.938
XJATS12	4-3/4	4-3/4	2.063	2.063

Explosion-Proof Metering Junction Box "XJATG" Threaded Glass Cover Series

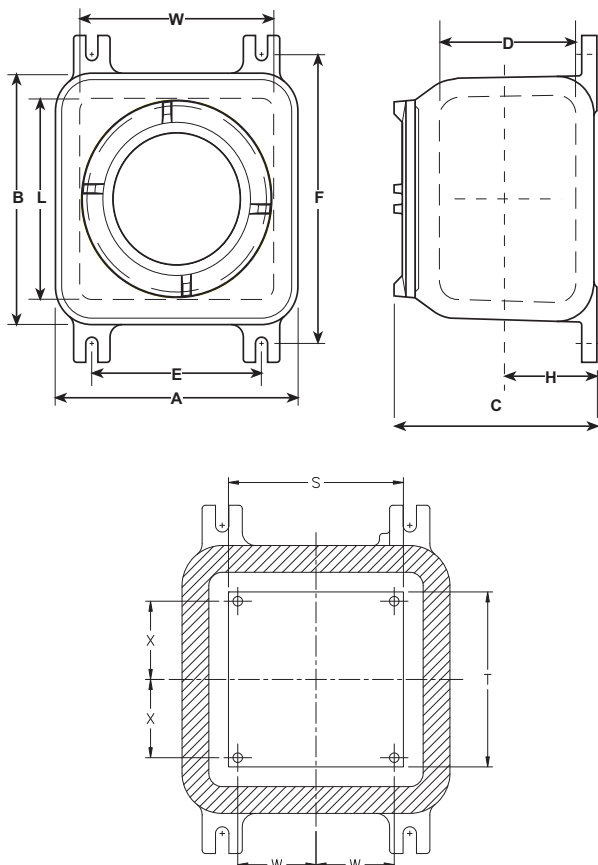
Catalog Number	Inside Dimensions (Inches)			Throat size	Viewing Glass Area	Outside Dimensions (Inches)			Mounting (Inches)		Conduit NPT		Weight (Lbs.) Est.
	W	L	D			A	B	C	E	F	Max Size	Standard LOC "H"	
# XJATG0*	3-3/4	3-3/4	2-11/16	4	2-3/4	4-3/4	4-3/4	5-1/2	3-3/4	5-5/8	1-1/4	1-7/8	5
# XJATG1	5	5	3-1/8	4-3/4	3	6	6	6	4	7	2	2-3/16	9
# XJATG2	6	6	4-1/8	5-3/4	4	7-1/4	7-1/4	7	5	8-1/2	2	2-13/16	12
# XJATG3	6-1/2	6	4-1/2	5-3/4	4	7-3/4	7-1/4	7-3/8	6	8-3/4	2	3	13
# XJATG4	7	7	6-1/8	5-3/4	4	8-1/4	8-1/4	9	5-1/2	9-1/2	2	3-13/16	20
XJATG5	8	8	4-1/8	7-1/8	5-1/4	9-1/2	9-1/2	7-3/8	7	11-1/2	2	2-15/16	26
XJATG6	8	8	6-1/8	7-1/8	5-1/4	9-1/2	9-1/2	9-3/8	7	11-1/2	2	3-15/16	29
XJATG7	8	10	6-1/8	7-1/8	5-1/4	9-1/2	11-1/2	9-3/8	6-3/4	13-1/2	2	3-15/16	36
XJATG8	10	10	6-1/8	9-1/8	6-3/4	11-3/4	11-3/4	9-3/4	8-1/2	13-1/2	3	4-1/16	45
XJATG9	10	10	8-1/8	9-1/8	6-3/4	11-3/4	11-3/4	11-3/4	8-1/2	13-1/2	3	5-1/16	51
XJATG10	12	11	7-1/2	10-1/8	7-5/8	13-3/4	12-3/4	11-1/4	10-3/4	14-1/2	3	4-3/4	55
XJATG11	12	12	6-1/8	9-1/8	6-3/4	13-3/4	13-3/4	9-3/4	10-1/2	15-1/2	3	4-1/16	54
# XJATG12	6	5-1/2	4-1/8	5-3/4	4	7	6-1/2	6-7/8	5-3/4	7-1/2	2	2-13/16	12

Two diagonally positioned mounting feet are standard with enclosures XJATG0, 1, 2, 3, 4 & 12

* Approval Pending - C/F for details

Note: All dimensions are for reference only

Consult Factory for custom machining requirements



Mounting Pans (XJATS/G/D Series)

XJATS / G / D Number	Mounting Pan Dimension		Mounting Boss Dimension	
	S	T	W	X
XJATG1	3-3/4	3-3/4	1.563	1.563
XJATG2	4-3/4	4-3/4	2.063	2.063
XJATG3	4-3/4	4-3/4	2.063	2.063
XJATG4	5-1/2	5-1/2	2.438	2.438
XJATG5	6-1/2	6-1/2	2.938	2.938
XJATG6	6-1/2	6-1/2	2.938	2.938
XJATG7	6-1/2	8	2.938	3.688
XJATG8	8	8	3.688	3.688
XJATG9	8-1/2	8-1/2	3.938	3.938
XJATG10	8-1/2	8-1/2	3.938	3.938
XJATG11	8-1/2	8-1/2	3.938	3.938
XJATG12	4-3/4	4-3/4	2.063	2.063



Explosion-Proof Junction Box “XJATD” Threaded Dome Cover Series

X
P
J
U
N
C
T
I
O
N
B
O
X
E
S



“Increase the interior working depth capacity with one of our dome type covers.”

Features:

- Threaded opening design provides easy access to components
- All enclosures are NEMA 4X with neoprene gasket for water tight applications
- All enclosures are suitable for field drilling and tapping
- Light weight corrosion resistant copper-free aluminum construction
- Attractive wheelabraste finish
- Increased working depth inside enclosures ranging from 4” to 20”
- Available with flat mounting pan or optional L-shaped bracket
- Optional viewing window on top of dome for high visibility of instruments in dome

Ordering Instructions:

- To order standard mounting pan, add N1 to part number (XJAT2D4-N1).
- Consult factory for custom or L-shaped brackets.



ISO 9001 With Design

Approvals:

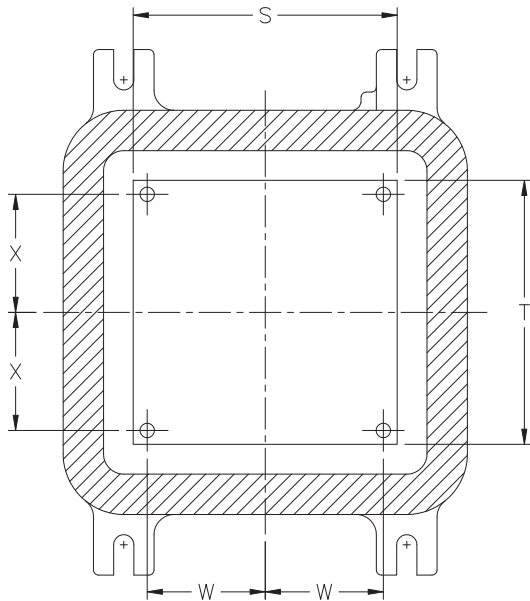
UL CLASSIFIED - Standard 886 - E94590

Compliances:

- N.E.C. - Class. I, Div. 1 & 2 Groups B, C & D
- Class. II, Div. 1 & 2 Groups E, F & G
- Class. III
- NEMA 3, 4X, 7 & 9



Explosion-Proof Junction Box “XJATD” Threaded Dome Cover Series



Dimensions

Catalog Number	Dimensions In Inches						Max. Conduit Size
	W	L	D	A	B	H	
XJAT2D4	6	6	4	10-5/8	5-3/4	9	2
XJAT2D8	6	6	4	14-5/8	5-3/4	13	2
XJAT2D12	6	6	4	18-5/8	5-3/4	17	2
XJAT3D4	6-1/2	6	4-1/2	11	5-3/4	9-3/8	2
XJAT3D8	6-1/2	6	4-1/2	15	5-3/4	13-3/8	2
XJAT3D12	6-1/2	6	4-1/2	19	5-3/4	17-3/8	2
XJAT4D4	7	7	6	12-5/8	5-3/4	11	2
XJAT4D8	7	7	6	16-5/8	5-3/4	15	2
XJAT4D12	7	7	6	20-5/8	5-3/4	19	2
XJAT5D4	8	8	4	10-15/16	7-1/8	9-1/8	2
XJAT5D12	8	8	4	18-15/16	7-1/8	17-1/8	2
XJAT5D20	8	8	4	27-15/16	7-1/8	25-1/8	2
XJAT6D4	8	8	6	12-15/16	7-1/8	11-1/8	2
XJAT6D12	8	8	6	20-15/16	7-1/8	19-1/8	2
XJAT6D20	8	8	6	28-15/16	7-1/8	27-1/8	2
XJAT7D4	8	10	6	12-15/16	7-1/8	11-1/8	2
XJAT7D12	8	10	6	20-15/16	7-1/8	19-1/8	2
XJAT7D20	8	10	6	28-15/16	7-1/8	27-1/8	2
XJAT8D6	10	10	6	15-1/4	9-1/8	13-1/4	3
XJAT8D12	10	10	6	21-5/16	9-1/8	19-1/4	3
XJAT8D20	10	10	6	29-3/8	9-1/8	27-1/4	3
XJAT9D6	10	10	8	17-1/4	9-1/8	15-1/4	3
XJAT9D12	10	10	8	23-5/16	9-1/8	21-1/4	3
XJAT9D20	10	10	8	31-3/8	9-1/8	29-1/4	3
XJAT11D6	12	12	6	15-1/4	9-1/8	13-1/4	3
XJAT11D12	12	12	6	21-5/16	9-1/8	19-1/4	3
XJAT11D20	12	12	6	29-3/8	9-1/8	27-1/4	3
XJAT12D4	6	5-1/2	4	10-5/8	5-3/4	9	2
XJAT12D8	6	5-1/2	4	14-5/8	5-3/4	13	2
XJAT12D12	6	5-1/2	4	18-5/8	5-3/4	17	2

Mounting Pans (XJATS/G/D Series)

XJATS / G / D Number	Mounting Pan Dimension		Mounting Boss Dimension	
	S	T	W	X
XJAT2	4-3/4	4-3/4	2.063	2.063
XJAT3	4-3/4	4-3/4	2.063	2.063
XJAT4	5-1/2	5-1/2	2.438	2.438
XJAT5	6-1/2	6-1/2	2.938	2.938
XJAT6	6-1/2	6-1/2	2.938	2.938
XJAT7	6-1/2	8	2.938	3.688
XJAT8	8	8	3.688	3.688
XJAT9	8-1/2	8-1/2	3.938	3.938
XJAT10	8-1/2	8-1/2	3.938	3.938
XJAT11	8-1/2	8-1/2	3.938	3.938
XJAT12	4-3/4	4-3/4	2.063	2.063

